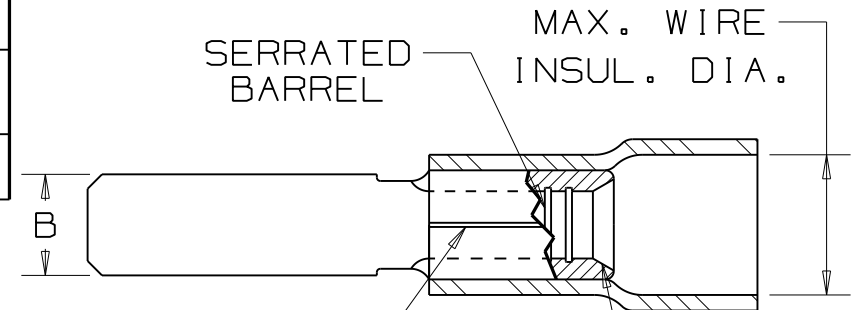
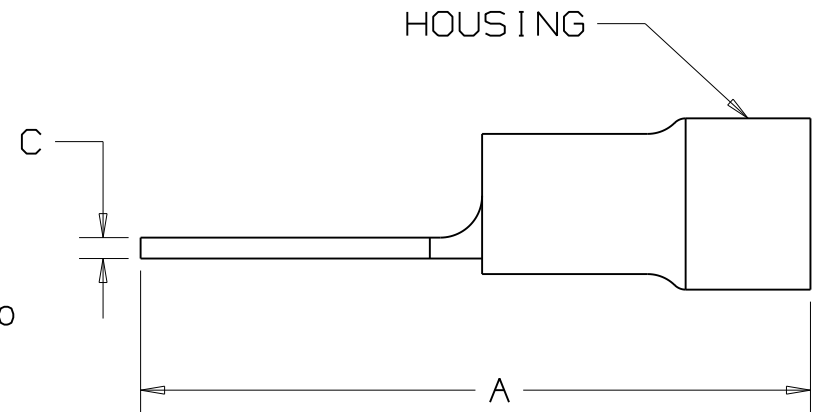


PART NUMBER	WIRE RANGE AWG	MAX. WIRE INSUL. DIA.	HOUSING COLOR	DIMENSIONS in.		
				A $\pm .03$	B $\pm .010$	C $\pm .01$
DV18-145M	22-18	.15 (3,8)	RED	.97 (24,6)	.145 (3,7)	.03 (0,76)
DV14-145M	16-14	.17 (4,3)	BLUE	.97 (24,6)	.145 (3,7)	.03 (0,76)



NOTES:

- UL RECOGNIZED AND CSA CERTIFIED FOR:
  - 600V. MAX. VOLTAGE RATING
  - 221° F (105° C) MAX. TEMP. RATING
  - FOR STRANDED COPPER WIRE ONLY
- MATERIAL:
  - STAMPING - .032" (0.8) THK COPPER  
TIN PLATED
  - HOUSING - VINYL
- SEE [www.panduit.com](http://www.panduit.com)  
FOR PART NUMBER SUFFIX DESIGNATION  
FOR PACKAGE SIZE
- DIMENSIONS IN BRACKETS ARE IN MILLIMETERS
- INSTALLATION TOOLS:
  - UL RECOGNIZED AND CSA CERTIFIED:  
CT-500, CT-550, CT-1550, CT-1551, CT-2500
  - PANDUIT APPROVED:  
CT-100, CT-160, CT-250, CT-260, CT-400,  
\*CT-460, CT-600-A  
\*RECOMMENDED FOR DV14-145M ONLY
- WIRE STRIP LENGTH:  $9/32^{+1/32}_{-0}$  (7.1<sup>+8</sup><sub>-0</sub>)



CERTIFIED  
LR31212



RECOGNIZED  
E78522

**PANDUIT**

CORP.

TINLEY PARK, ILLINOIS

VINYL INSULATED .145 X .032  
(3.68 X 0.81) MALE TAB

REV	DATE	BY	DESCRIPTION
10	8/11	SHOR	ADDED INSTALLATION TOOLS
09	7/11	SB	Added note #3

DRAWN BY DAW	CHK'D	SCALE NONE	DRAWING NO. A41321
-----------------	-------	---------------	-----------------------